

# OTTAWA-BB

SERVO-MOTOR 4 AXIS HORIZONTAL  
FLOW WRAPPER INVERTED  
FILM ROTARY SEAL.



**T**he OTTAWA-BB is a Horizontal Flow Wrapper (HFFS) Inverted Film on Bottom and Rotary Sealing system with high performance level. Machine could be arranged with infeed belt conveyor system or pushing lugs conveyor system according to the product. It suits a wide range of Small, Medium and Large soft or irregular products applications, where fast and easy to operate and size change operations are required. The OTTAWA-BB flow wrappers can be tailored to match each customer's specific needs, and deliver maximum production flexibility and efficiency at each performance level.

## Standard Features

- Horizontal Flow Wrapper rotating transversal sealing, Film reel holder on bottom and infeed product by belt conveyor system.
- Product flow right to left from the view point of the operator station.
- Fully Adjustable Film Former.  
PLC controller with HMI Full Color Touch Screen to control the main machine functions, such as: Bag Length, Speed of packaging, Axis Homing, Film Advance, Print Registration settings, Product Memory (20 recipes).
- Machine powered by 4 brushless servo motors Direct Gear Driven Assembly.
- No product, No Bag Function.
- Three OMRON temperature PID control and Solid State Relay. 1) Pre heat system 2) Sealing Disc 3) End Jaw.
- Three pairs of sealing disc for fin seal with automatic pneumatic opening. The 3rd. set is a "Fold-Over Wheel" which fold the fin seal to either side of the package.
- SICK Sensor Printing film eye mark tracing system  
Sealing Jaw face: standard 0.5" (12.5 mm) per side of the bag with transverse sealing pattern.
- Machine cycle stop with crimper in open position to prevent film from melting.
- Electronic Clutch on the crimper-head to release the drive and stop the machine in case a solid object gets jammed between the jaws.
- Powered product discharge conveyor length 23 1/2" (600 mm).
- One Film roll holder with self-centering cones, spring activated brake system and side lay adjustment.
- One Start/Stop/Emergency Stop control on operator side.
- Interlocked safety switches on all doors and guards that can be opened without tools.
- All parts in contact with the product are either 304 stainless steel.
- Main frame and electrical cabinet in mild steel, rough textured finish painted.
- Machine includes Heavy Duty Castors for easy movement with adjustable feet.

## OTTAWA-BB-500 / OTTAWA-BB-750

Model	OTTAWA-BB-500	OTTAWA-BB-750
Number of Jaw	1 Jaw	
Rotation Diameter	144	174
Product Length Range (Inch-MM)	4 3/4 - 19 3/4 (120-501)	
Product width (Inch-MM)	3 7/8 - 9 1/8 (98-232)	3 7/8 - 12 (98-305)
Product height (Inch-MM)	3/16 - 3 (5-76)	3/16 - 4 (5-102)
Packing Capacity (pcs/min)	Up to 60 ppm	
Sealing Jaw Width (Inch-MM)	11 7/8 (300)	15 3/4 (400)
Film width max. (Inch-MM)	20 (508)	30 (762)
Compressed Air	6 bar, 1 L/min	
Power Supply	220 V/1ph, 50/60 Hz	
Power Max.	3.5 Kw	4.0 Kw

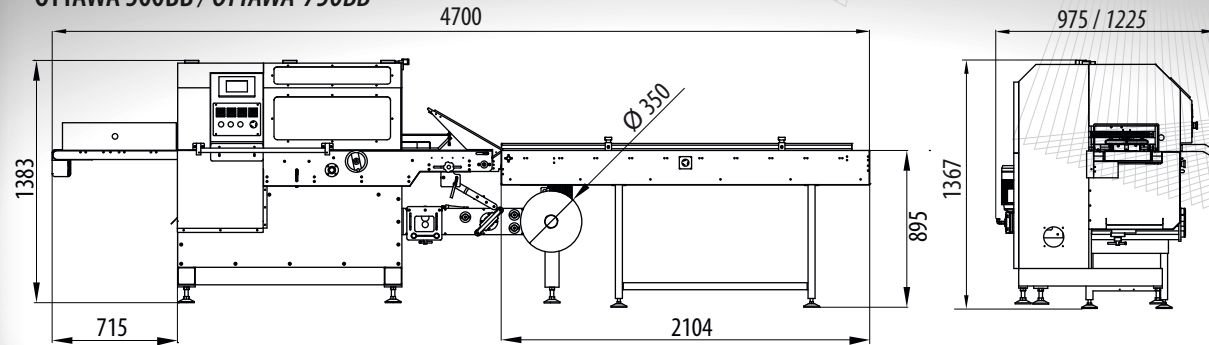
### Standard Packing Film

BOPP 20 mic  
BOPP + PE  
PET + PE  
Other heat-sealable packaging material on request

### Optional Features

Airplane, Round Hole Punch or Tear Noch.  
Gusset device for tall product.  
Date Code Printer.  
Gas or Alcohol Flushing  
Extended Belt or Pushing lugs  
product Infeed conveyor. Custom Length  
Stainless Steel Case AISI #304.  
Complete AISI #304 Stainless Steel Construction for Cold and Wet Zone (Not Wash-down)

### OTTAWA-500BB / OTTAWA-750BB



769 Shotgun Rd., Sunrise, FL, 33326 - USA  
Tel: +1 754.217.7900 / +1 754.779.7800  
info@alphapack.us - sales@alphapack.us  
www.alphapack.us