



BAIRES **PACK**

Horizontal Automatic Premade
Pouch Fill and Seal Machine

MILAN

Horizontal Automatic Premade Pouch Fill and Seal Machine

Standard Equipment

- Simple integration of filler, such as Multi-Head Weigher, Auger Filler, Volumetric Cup Doser, Liquid & Paste Pump, and other peripheral equipment.
- Panasonic PLC + Kinco 7" color screen
- Build in Vacuum pump for bag pick up and opening.
- Quick format change Operating and adjusting via TOUCH SCREEN.
- Fault indication on the TOUCH SCREEN.
- Alarm with sound and three color lamp when error occur, such as no product to fill.
- #304 Stainless Steel Construction Easy maintenance.
- Power: 220V 3-phase , 60 Hz

Safety Device

1. No pouch – No fill – No seal
2. Pouch open error – No fill – No seal
3. Heater disconnection alarm
4. Machine stop at abnormal air pressure
5. Safety Doors- Interlocking system for work safety
6. CE Marking



	MILAN - 1	MILAN 1 - XL
Pouch Length (Inch - mm)	5 7/8 - 13 150 - 330	7 7/8 - 17 1/2 200 - 450
Pouch Width (Inch - mm)	3 7/8 - 10 100 - 250	7 7/8 - 12 1/2 200 - 320
Production Speed	5 - 10 ppm	
Compress Air	6 Bar 300 L/min	
Power Supply	220V, 1 Phase, 60 Hz, 2 Kw	
Pouch Format	Flat, Doypack, Stand-up, Zipper, Side Spout, Gusset pouch.	





MILAN-1L

Liquids

Packing Process description:

1. Pouch feeding conveyor & pick up the pouch
2. Pouch goes to Filling Station
3. Pouch top opening & Zipper open (option)
4. Filling
5. Sealing
6. Pouch feed out conveyor



MILAN-1P

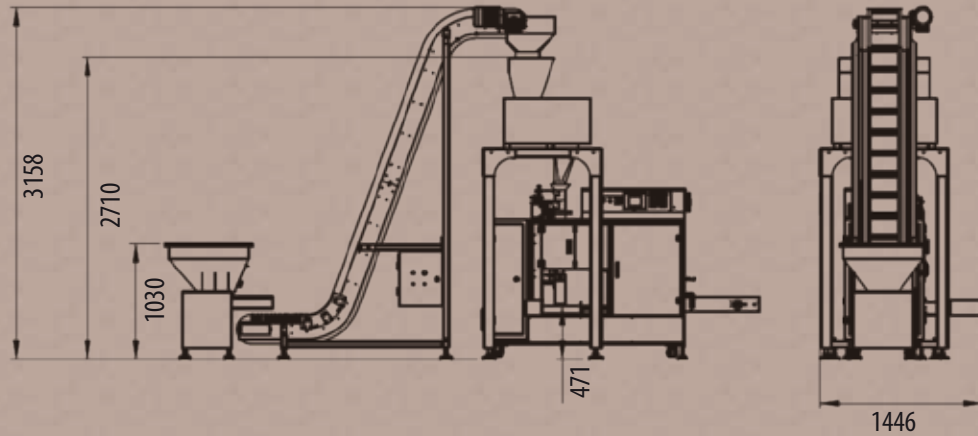
Free Flow Powders



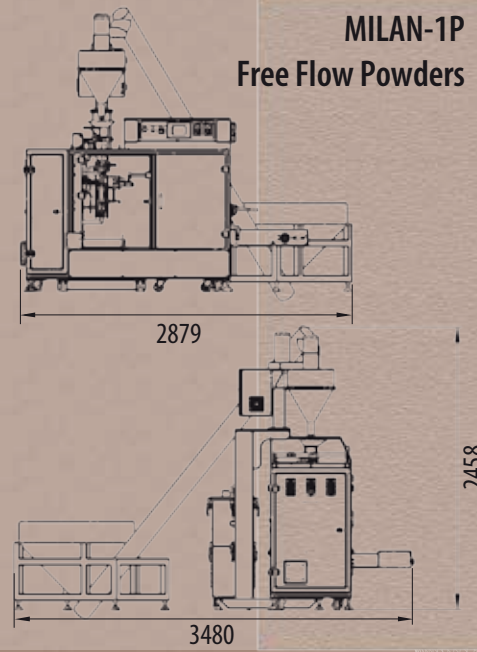
MILAN-1S

Solid and Granulated

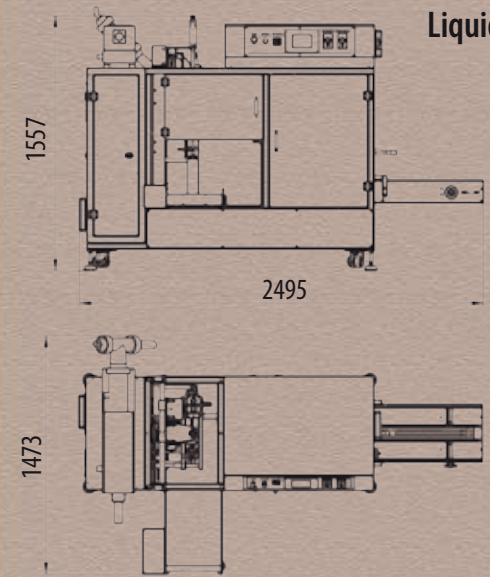
MILAN-1S
Solid and Granulated



MILAN-1P
Free Flow Powders



MILAN-1L
Liquids



769 Shotgun Rd., Sunrise, FL, 33326 - USA

Ph: +1 754.779.7800

sales@bairespackusa.com

www.bairespackusa.com