

# AUSTIN

Vertical Form  
Fill Seal  
Multi-head  
Weigher Combo



# BAIRES PACK USA

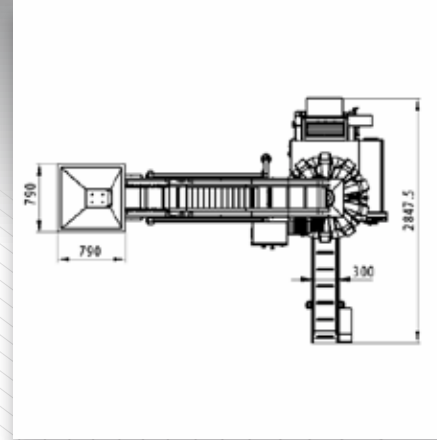
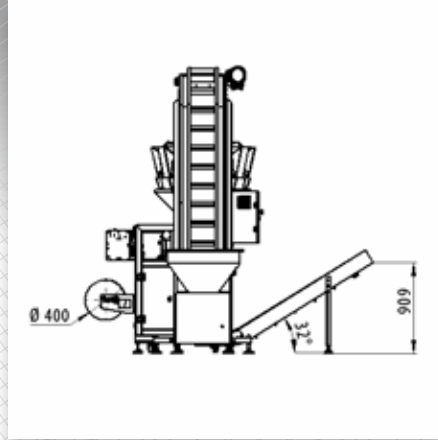
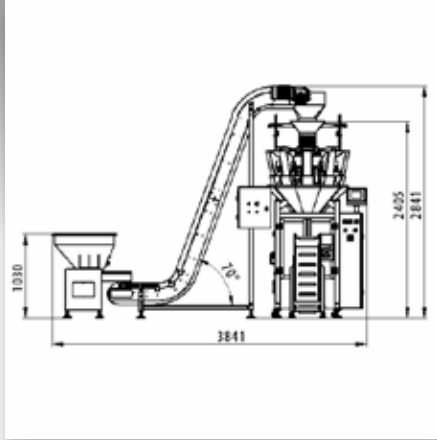


AUSTIN

# AUSTIN

## Vertical Form Fill Seal Multi-head Weigher Combo

### Standard Layout



### VFFS Technical Features

#### Package size range:

**Length:** 3 5/32 - 11 3/16 (80-300mm) (adjustable, When bag length bigger than 7 5/64 (180 mm) need two times film pulling)

**Width:** 3 5/32 - 7 7/8 (80-200 mm) (decided by former)

**Max. film width:** 16 17/32 (420 mm)

**Capacity:** 15-60 pack/min. (without gusset)

Horizontal Sealing Driven by Pneumatic Cilinder.

### Multi-head Weigher Technical Features

**Weigh Heads:** 10 un.

**Hopper Capacity:** 0.42 Gl. or 1.6 L.

**Weighing Range:** 0.35 - 35.27 Oz. or 10-1000 g

**Accuracy:** X (0.5)

**Max Speed:** 60 WPM

**Surface:** Standard or Dimple.

### VFFS Optional Devices

Gusset Device.

Hole Punch Device.

Nitrogen Gas Flushing.



3 Seal Pillow bag

3 Seal Gusseted bottom

3 Seal Gusseted bottom  
offset center seal

3 Side Seals

4 Side Seals

3 Seal Pillow  
bag + Zipper

## VFFS + Multi-head Weigher Combo AUSTIN

### Multi-head Weigher Standard Features

- Control Panel 7" Color Touch Screen.
- User-friendly help menu contributes to easy operation.
- Self diagnostic alert in pop up window, easy trouble shoot.
- Live display of individual amplitude for precise monitoring an control of each vibrator.
- Live display of individual weight readings.
- Hopper Driving system by Step Motor.
- High precision Load cell. Resolution up to 2 decimals.
- Auto zeroing during operation ensures better accuracy.
- Linear amplitude can be adjusted independetly in the running.
- Automatic frequency vibration control for precise products distribution.
- Multiple dumps for bulk weighing.
- Stagger dump for applications with large unit size.
- 100 programs capacity.
- No tools require to cleaning.
- Compliance with CE regulations.
- # 304 Stainless Steel Construction.

### VFFS Standard Features

- Panasonic PLC and 7" colorful HMI.
- Easy Set and change packing parameters.
- Schneider Servo Motor Control for bag pullin system.
- Double belt bag pulling system.
- Omron PID Temperature control.
- Sick photo-sensor for print registred system.
- One piece Film Forming. Easy Change over.
- Morotized Film reel with pneumatic shaft.
- CE Safety protect function and safety cover.
- Door Open, Product Jam or Packing Film Lack will stop the machine.
- # 304 Stainless Steel contruction.
- Power: 220 V / 1 ph, 50/60 Hz, 4.0 Kw



769 Shotgun Rd., Sunrise, FL, 33326 - USA

Ph: +1 754.779.7800

sales@bairespackusa.com

www.bairespackusa.com